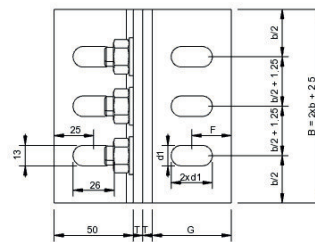
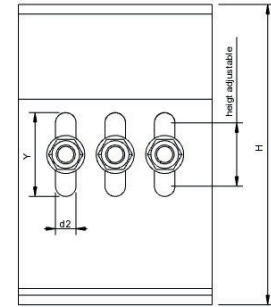
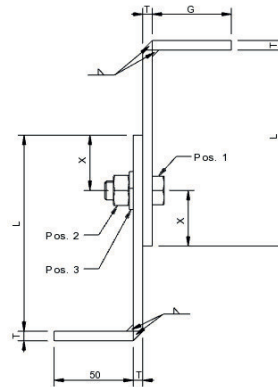
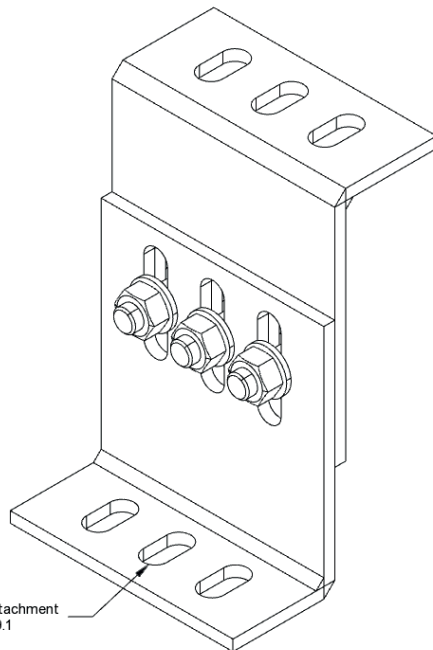


PIPE BRACKET

height adjustable for low temperature clamps

Type 116 hv-K

dipa

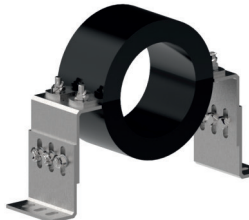
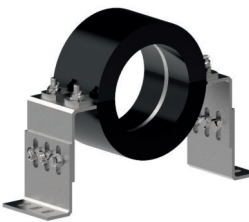


Fix point:
2 pieces type 116 hv
with type 170 F

Loose bearing:
2 pieces type 116 hv
with type 170-2

Loose bearing:
2 pieces type 116 hv
with type 170 centered

for Ø	60.3	76.1 and 88.9	114.3 and 168.3	219.1 and 273.0	323.9 and 355.6	406.4 and 457.2
b	45	55	60	100		120
B	92.5	112.5	122.5	202.5		242.5
d1	11.0		14.0	18.0	23.0	
d2	9.0	13.0		18.0		23.0
F	20		25	35	40	
G	40	50		60	80	
H	100-150	150-230		250-350		320-460
Height adjustable	± 25	± 40		± 50		± 70
L	80	130		200		250
Pos. 1 screw DIN 933	M 8 x 30	M 12 x 40		M 16 x 40		M 20 x 40
Pos. 2 hex nut DIN 934	M 8	M 12		M 16		M 20
Pos. 3 washer DIN 125	M 8	M 12		M 16		M 20
T	6			8		
X	23.5	41		58		63
Y	34	53		68		93



Type 116 hv-K is suitable for
- 1 piece type 170 centered
- 1 piece type 170-2
- 1 piece type 170 F

**Also STAINLESS available
RUST
PROOF**

Specification

Material No. 1.0038, galvanized or hot-dip galvanized. Also deliverable in stainless steel material No. 1.4301 and 1.4571.