

PIPE CLAMP FOR BRIDGE DRAINAGE WITH CONSOLE

Type 115 B-K

according to the WAS - guide line drawings

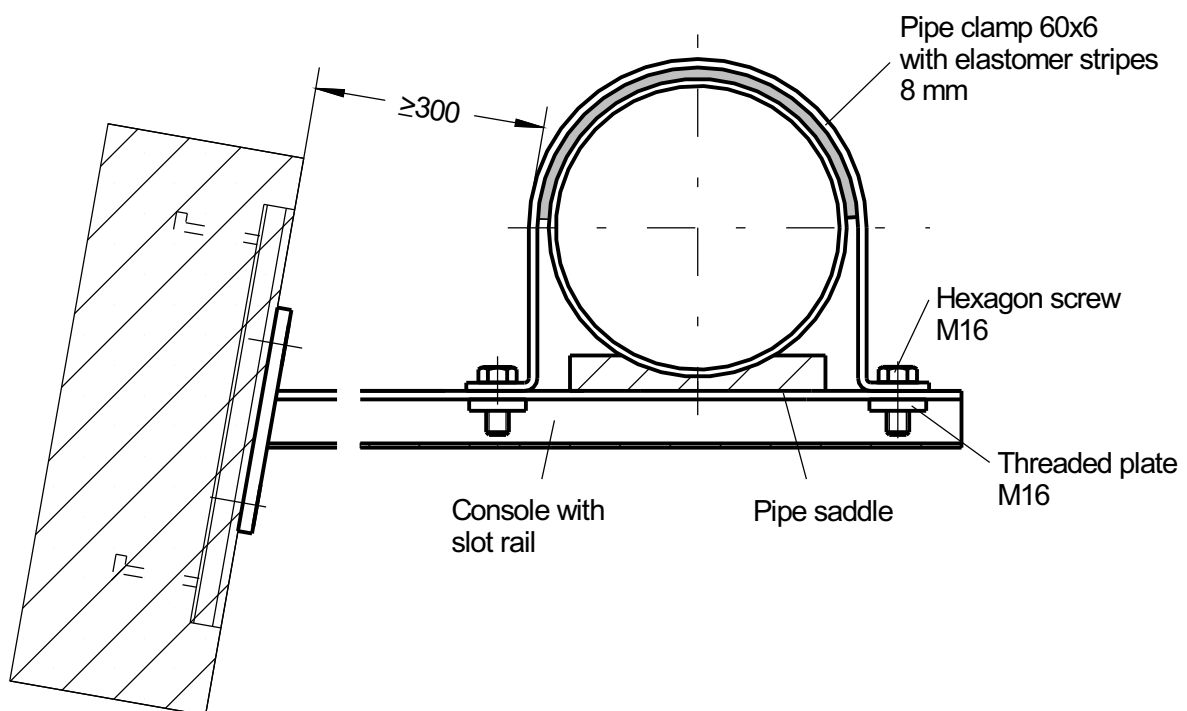


according to the guide line drawings WAS 15, edition Dez. 2004

STAINLESS STEEL
RUST
PROOF



Presentation = Scope of supply



Description

One piece pipe clamp made of stainless steel, quality A4, material No 1.4571 with inserted elastomer stripes 8 mm, diameter range DN 150 to DN 200.

Fastened on console with hexagon screws and threaded plates according to guide line drawing WAS 15 included pipe saddle.