

PIPE CLAMP FOR BRIDGE DRAINAGE

according to the WAS - guide line drawings

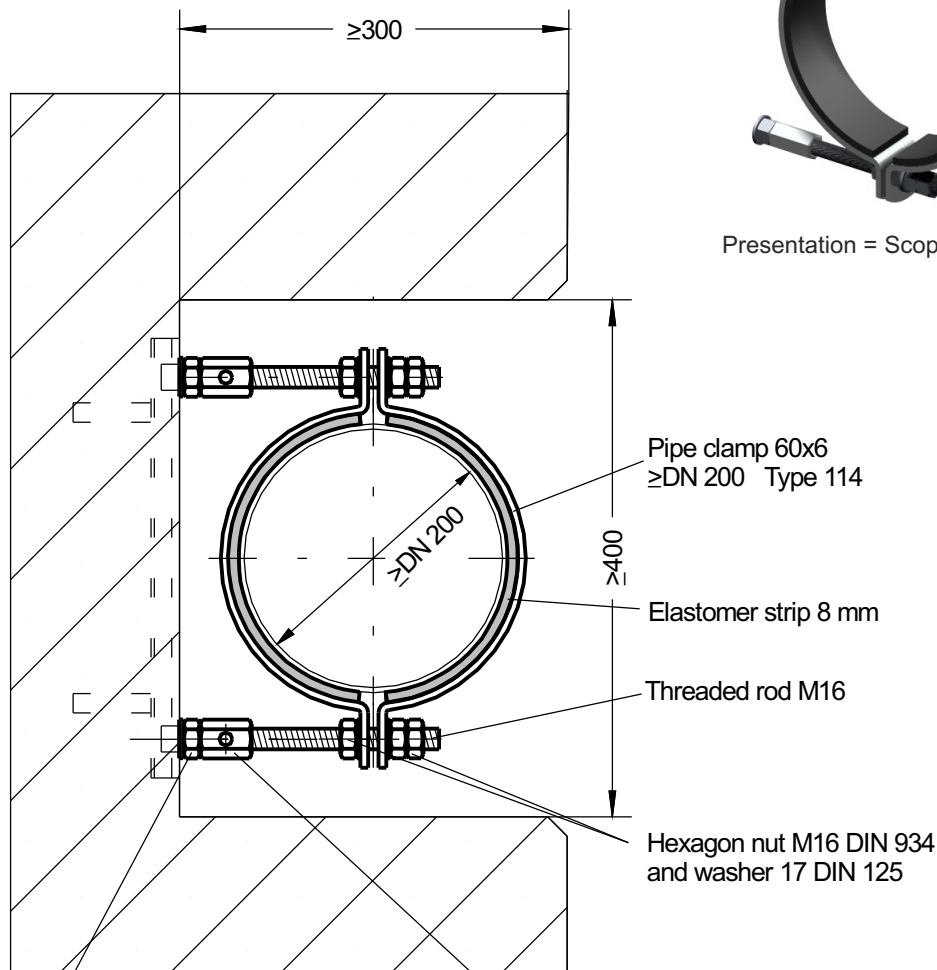
Type 114 B

according guide line drawings WAS 5, edition Dez. 2004 and WAS 6, edition Dez. 2009

STAINLESS STEEL
RUST
PROOF



Presentation = Scope of supply



Pipe clamp 60x6
≥DN 200 Type 114

Elastomer strip 8 mm

Threaded rod M16

Hexagon nut M16 DIN 934
and washer 17 DIN 125

with hexagon nut M16 DIN 934
and washer 17 DIN 125
not in scope of supply
hook head screw M16 x 40

Hexagon connection sleeve
M16 with checking tap

Description

Two piece pipe clamp made of stainless steel, quality A4, material No 1.4571 with inserted elastomer strips 8 mm.

Wall connection with threaded rods M16, and hexagon nuts, washers and hexagon connection sleeves according to the guide line drawings WAS 5 and/or WAS 6.

Hook head screws are not in scope of supply.