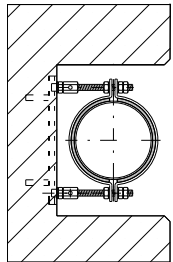
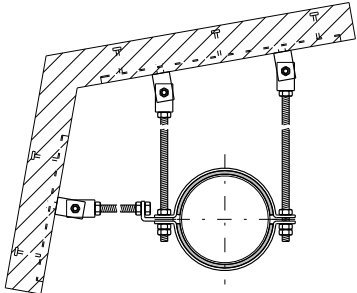
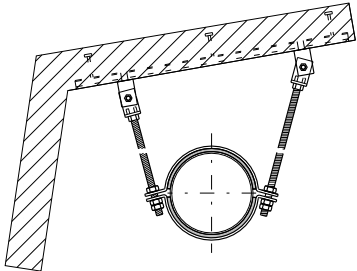
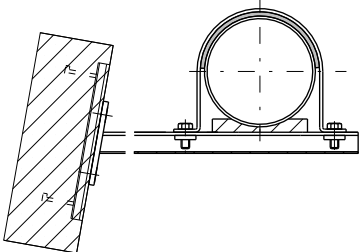


PIPE CLAMPS FOR BRIDGE DRAINAGE

according to the WAS - guide line drawings

WAS - guide line drawings	dipa® design
<p>WAS 5 and WAS 6</p> 	<p>Type 114 B</p>
<p>WAS 13 Picture 1</p> 	<p>Type 114 B-F as fixed point</p>
<p>WAS 13 Picture 2</p> 	<p>Type 114 B-MB as pendulum hanger</p>
<p>WAS 15</p> 	<p>Type 115 B-K on console</p>