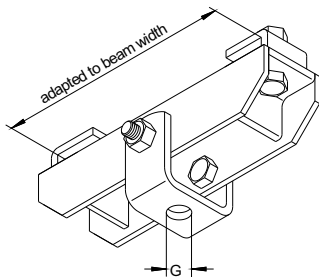
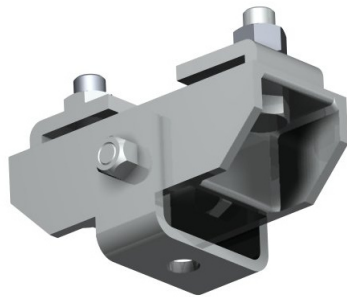
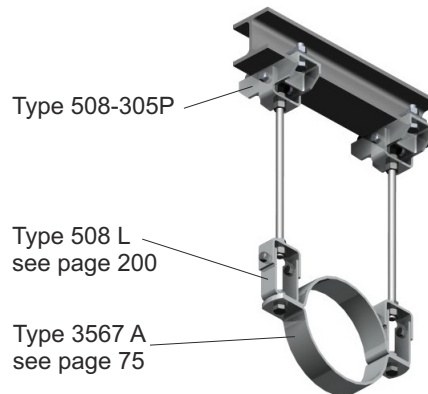


Presentation = Scope of delivery



Mounting example



**Ordering designations:**

(for mounting example as shown)

- 2 Pieces dipa® Type 508-305P size 2 for beam HEA / HEB .....
- 2 Pieces dipa® Type 508 L size 2
- 1 Piece dipa® Type 3567 A ø .....
- 2 Pieces threaded rod M16 L = .....
- including screws and nuts

All dimensions in mm

Size	for threaded rod G	b x s	H	F <sub>permissible</sub> [KN]	for beam HEA / HEB
1	M 12	40 x 4	81	5	according to customer disclosure
2	M 16	40 x 6	81	12	
3	M 20	50 x 8	96	16	

**Description**

The dipa® pendulum hanger Type 508-305P is a fastening element with beam connection to HEA / HEB or I-Träger for linked coupling suspension by threaded rods for components of all kinds.

**Specification**

Material No. 1.0038. Surface: zinc-coated or stainless steel material No. 1.4301 or 1.4571

**Combination possibilities with Type**

114, 170, 175, 3567 A

**Preferable fields of application**

Slope ceilings, drainage

**Also STAINLESS available  
RUST  
PROOF**



Ordering designations: Type...  
e.g. 508-305P

Size...  
2

H-dimension...  
H= 81

Surface...  
zinc-coated

Connection to beam  
HEA 100