

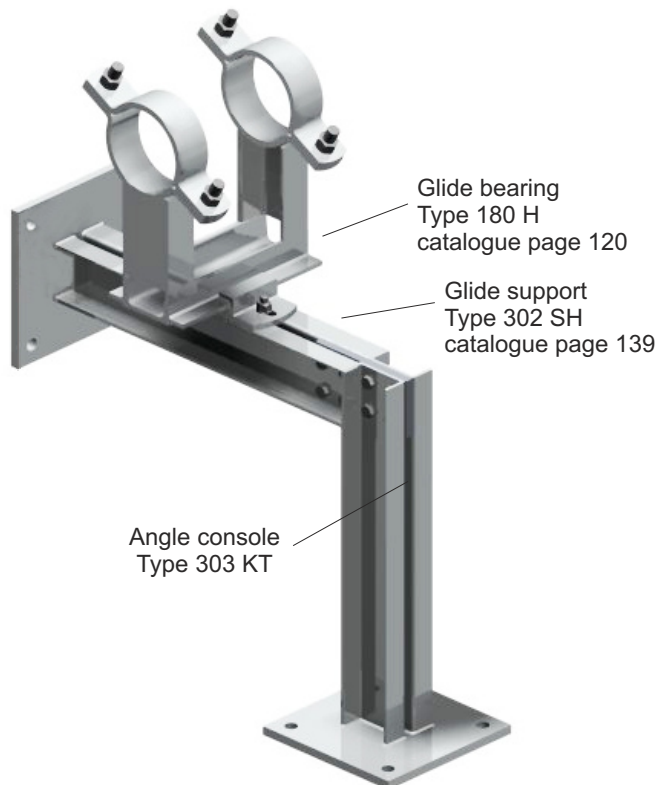
# CONSOLE CARRIER SYSTEM Type 303 KT 80 303 KT 100 303 KT 120

Variable solutions for system construction

## Mounting example

### Usage example

e.g. Angle console in combination with dipa® glide bearing Type 180 H and convenient glide support Type 302 SH



Angle console



Double console



Bridge

### Description

The dipa® console carrier system allows many possibilities to fortifiable glide supports or fixed points according to their building conditions. Due to the special construction, supports, bearings or fixed points can be moved stagelessly lateral. For mounting, commercial screws can be used. Special nuts or clip systems are not necessary. Types KT80, KT100 and KT120 are constructed for heavy load.

### Combination possibilities with Type

Series 116, 118, 171, 180, 190, 302 S

### Specification

Material No. 1.0038, ordinary steel, hot-dip galvanized or stainless steel material No. 1.4301 or 1.4571

**Also STAINLESS available  
RUST  
PROOF**