

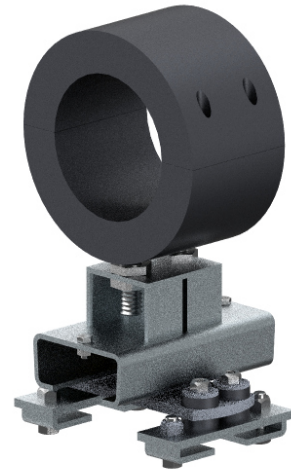
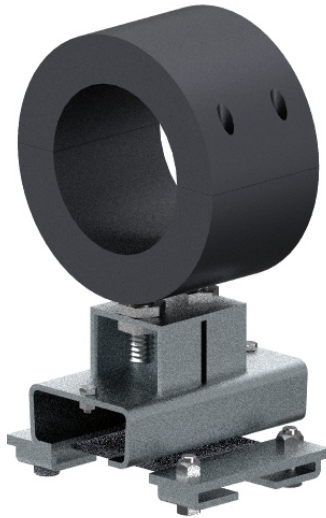
**LOW TEMPERATURE ROLLER
RESTRAINING BEARING**
for beam connections to I-beams

Type **172-305P Z-I**
172-305P ZA-I

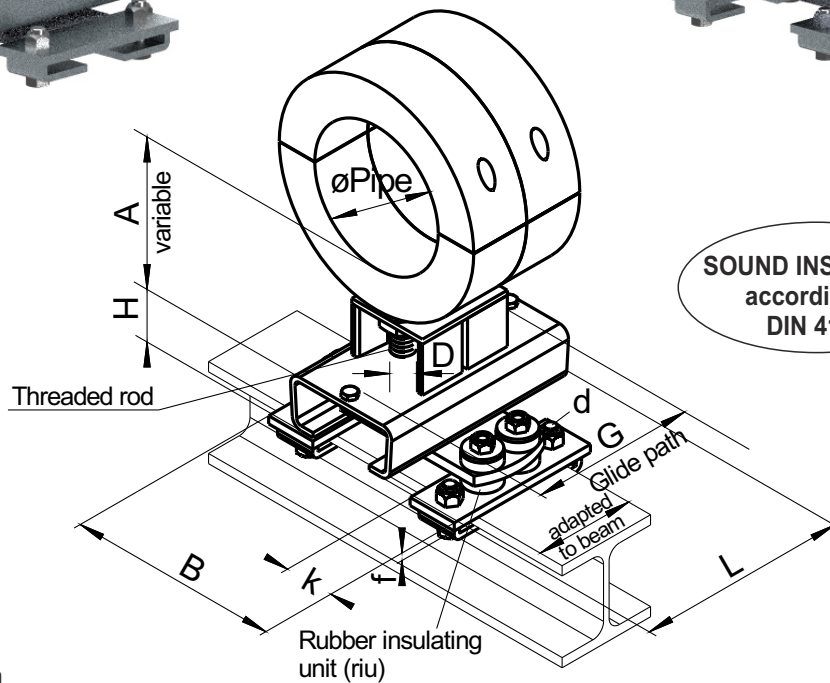


Type 172-305P Z-I

Type 172-305P ZA-I
with sound insulation



NEW



All dimensions in mm

valid for both designs										172-305P Z-I	172-305P ZA-I with sound insulation	
Size	Pipe ø	A Standard	L	D	d	k	f	B	for beam	H	H	riu piece
2	76.1	95-125	200	1/2"	M12	40	6	162	HEA/HEB 100 - 160 or IPE off 140 - 330	54	72	4
	88.9											
	114.3											
3	139.7	105-135	200	1/2"	M12	50	8	210	please tell us the beam size	66	86	4
	168.3											
	193.7	138-168		3/4"								
	219.1	125-155										

Other diameters on requested. Please tell us on request the pipe diameter, the A-dimension and the beam size.



Ordering designations: Type...
e.g. 172-305P ZA-I

Diameter...
ø168.3

A-dimension...
A=120

Surface...
hot-dip galvanized

Beam
HEB 100