

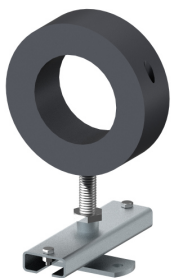
LOW TEMPERATURE SLIDING RESTRAINING BEARING

height adjustable

Type 172 HG
172 HGA

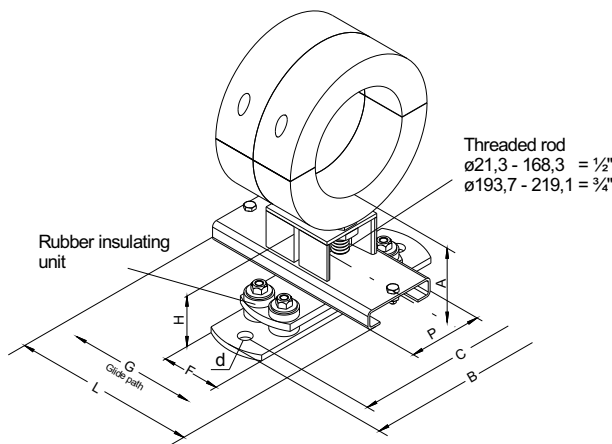
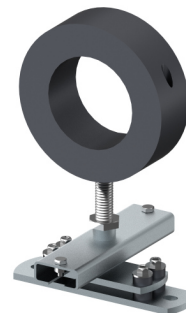
Type 172 HG 1

1 piece without sound insulation



Type 172 HGA 1

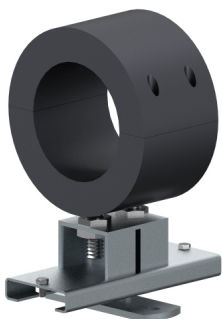
1 piece with sound insulation



SOUND INSULATED according to DIN 4109

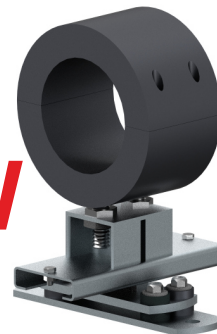
Type 172 HG 2

2 pieces without sound insulation



Type 172 HGA 2

2 pieces with sound insulation



NEW

NEW

All dimensions in mm

Pipe \varnothing	P Profile	A Stand- ard	L	G Glide path	d	Type 172 HG 1 without sound insulation				Item number	Type 172 HGA 1 with sound insulation				Item number
						C	B	F	H		C	B	F	H	
21.3	60	100	210	120	$\varnothing 13$	84	120	50	45	26019585	180	226	60	65	26019595
26.9										26019586					26019596
33.7										26019587					26019597
42.4										26019588					26019598
48.3										26019589					26019599
60.3										26019590					26019600
76.1										26019591					26019601
88.9										26019592					26019602
114.3										26019593					26019603

Pipe \varnothing	P Profile	A Standard	L	G Glide path	d	Type 172 HG 2 without sound insulation				Item number	Type 172 HGA 2 with sound insulation				Item number
						C	B	F	H		C	B	F	H	
139.7	100	105-135	250	155	HG 2 $\varnothing 14 \times 18$ HGA 2 $\varnothing 18$	129	175	60	47	26029962	245	295	80	67	26029965
168.3		105-135								26029963					26029966
193.7		138-168								on request					on request
219.1		125-155								26029964					26029967

Specification

Galvanized



Ordering designations: Type...
e.g. 172 HGA 1

Diameter...
 $\varnothing 48.3$

Item number
26019599