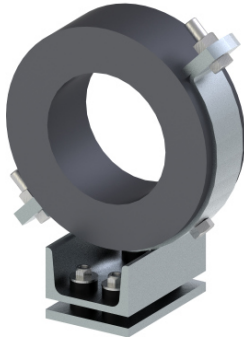


LOW TEMPERATURE GLIDE SUPPORT

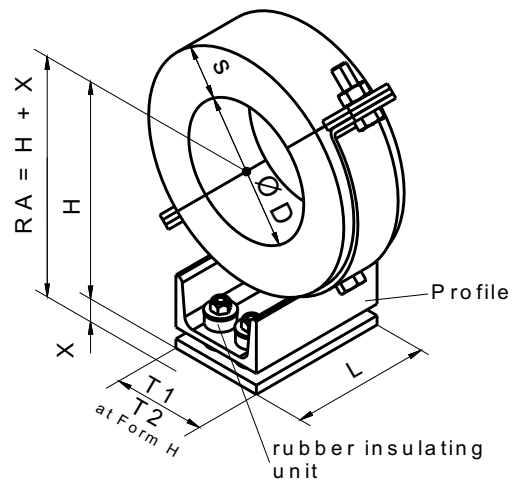
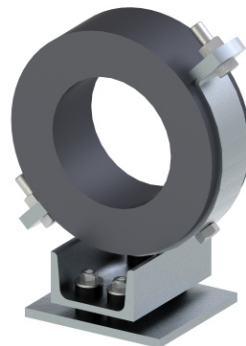
Type **171-1 A**
171-1 A-H



Type **171-1 A**
1 piece



Type **171-1 A-H**
1 piece with retaining profile



X = Height of the gliding support

For planning purposes, please consider the height of the gliding support (X) if usage is demand.

All dimensions in mm

ØD	s	L	H ± 2	Screws	U- Profile	T1	Type 171-1 A		T2	Type 171-1 A-H	
							Item No. galvanized	Item No. hot-dip galvanized		Item No. galvanized	Item No. hot-dip galvanized
21,3	30	115	81	M 6x20	40	40	26025031	26021725	90	26025063	26019014
26,9	30	115	81	M 6x20	40	40	26025032	26021726	90	26025064	26023648
33,7	30	115	84	M 6x20	40	40	26025033	26021727	90	26025065	26019016
42,4	30	115	92	M 6x20	40	40	26025034	26021728	90	26025066	26019017
48,3	30	115	92	M 6x20	40	40	26025035	26021729	90	26025067	26019018
57,0	30	130	102	M 10x20	50	50	*	*	90	*	*
60,3	30	130	102	M 10x30	50	50	26025036	26021730	100	26025068	26015716
70,0	30	130	113	M 10x30	60	60	*	*	110	*	*
76,1	30	130	113	M 10x30	60	60	26025037	26021731	110	26025069	26015717
88,9	30	130	121	M 10x30	60	60	26025038	26021732	110	26025070	26015718
108,0	40	120	158	M 12x40	80	80	*	*	130	*	*
114,3	40	120	158	M 12x40	80	80	26025039	26021733	130	26025071	26015719
133,0	40	120	172	M 12x40	80	80	*	*	130	*	*
139,7	40	120	172	M 12x40	80	80	26025040	26021734	130	26025072	26015720
159,0	40	120	183	M 12x40	100	100	*	*	150	*	*
168,3	40	120	188	M 12x40	100	100	26025041	26021735	150	26025073	26015721
193,7	60	200	229	M 16x50	120	120	*	*	170	*	*
219,1	60	200	242	M 16x50	120	120	26025042	26021736	170	26025074	26015722
267,0	60	200	267	M 16x50	120	120	*	*	170	*	*
273,0	60	200	270	M 16x50	120	120	26025043	26021737	170	26025075	26015723
323,9	60	200	299	M 20x60	140	140	26025044	26021738	200	26025076	26015724
355,6	60	200	316	M 20x60	140	140	26025045	26021901	200	26025077	26017958
368,0	60	200	321	M 20x60	140	140	*	*	200	*	*
406,4	60	240	342	M 20x60	140	140	26025046	26024944	200	26025078	26021254
457,2	60	240	368	M 20x60	140	140	26025202	26025203	200	26025200	26017959

Other diameters and H-dimensions on request. Please tell us the requested pipe diameter and the H-dimension.

* = Design on request



Ordering designations: Type...
e.g. 171-1 A

Diameter...
ø76.1

Surface...
galvanized

Item number
26025037