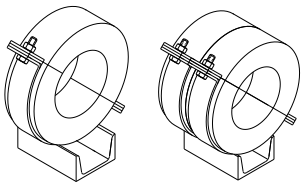
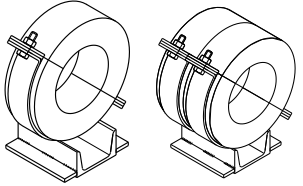
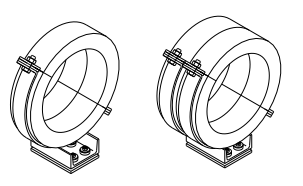
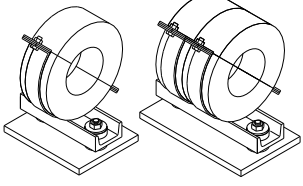
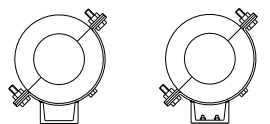
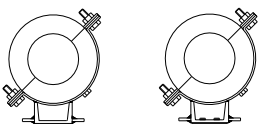
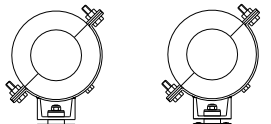
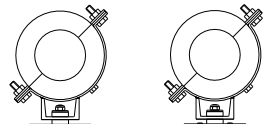
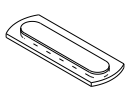
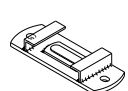
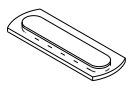
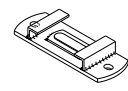
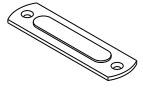
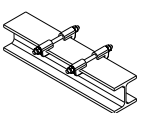
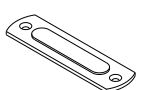
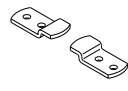
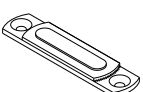
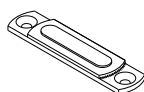
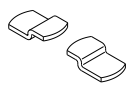
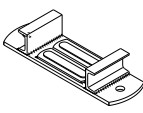
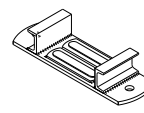
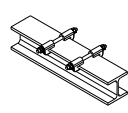
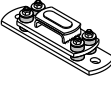


LOW TEMPERATURE GLIDE SUPPORT Type 171

DBP P 2854924.8 - 12

Variation overview series 171 with suitable glide supports

without sound insulation		with sound insulation	
<p>Type 171-1 Type 171-2</p> 	<p>Type 171-1 H Type 171-2 H</p> 	<p>Type 171-1A Type 171-2A</p> 	<p>Type 171-1A-H Type 171-2A-H</p> 
<p>Base variations</p> <p>without lift-off prevention</p>	<p>Base variations</p> <p>with lift-off prevention</p>	<p>Base variations</p> <p>without lift-off prevention</p>	<p>Base variations</p> <p>with lift-off prevention</p>
<p>Form VA</p> <p>with stainless steel glide plate</p> 	<p>Form H Form VA-H</p> <p>with stainless steel glide plate</p> 	<p>Form A Form VA-A</p> <p>with stainless steel glide plate</p> 	<p>Form A-H Form VA-H-A</p> <p>with stainless steel glide plate</p> 
<p>Combination possibilities with</p>	<p>Combination possibilities with</p>	<p>Combination possibilities with</p>	<p>Combination possibilities with</p>
<p>Type 301 to weld see page 130</p> 	<p>Type 302 SH see page 139</p> 	<p>Type 301 to weld see page 130</p> 	<p>Type 302 A-SH see page 139</p> 
<p>Type 301 SO see page 131</p> 	<p>Type 22 H4 with lateral guide see page 144</p> 	<p>Type 301 SO see page 131</p> 	<p>Type 300 Z to weld see page 129</p> 
<p>Type 302 S see page 132</p> 		<p>Type 302 S see page 132</p> 	<p>Type 300 Z to weld see page 129</p> 
<p>Type 302 SF with lateral guide see page 134</p> 		<p>Type 302 SF with lateral guide see page 134</p> 	<p>Type 22 H4 with lateral guide see page 144</p> 
<p>Type 190 SA with sound insulation see page 127</p> 			

Description and dimensions of the individual types can be found on separate catalogue pages.