

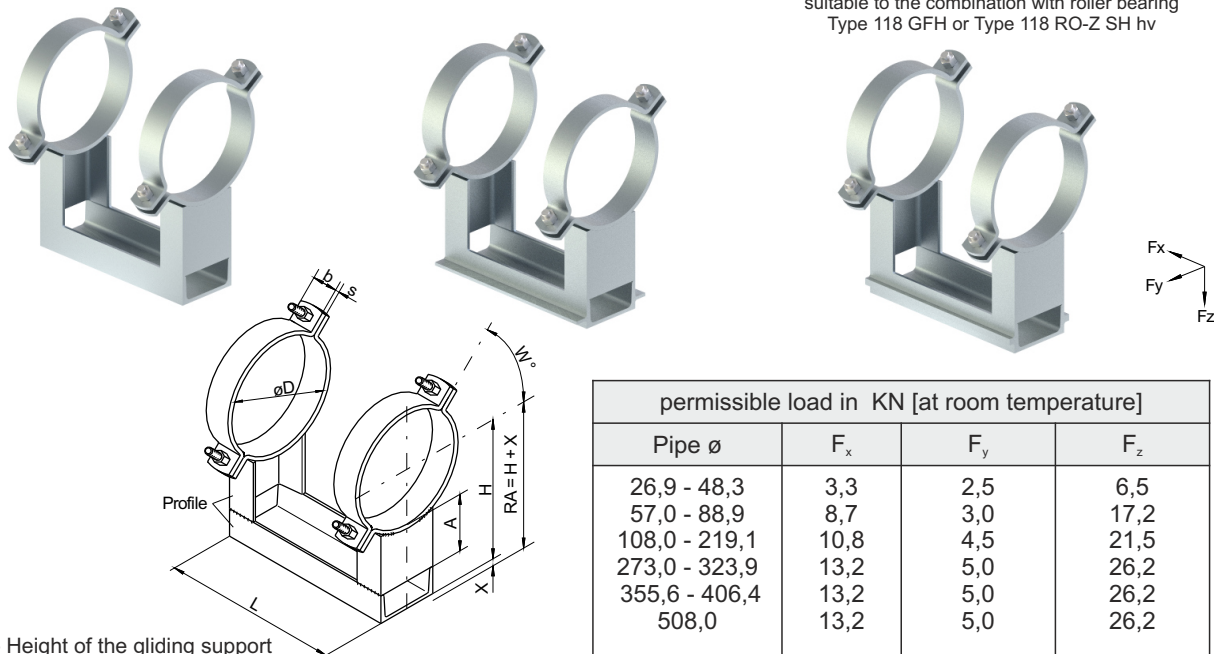
# GLIDE SUPPORT

Type **180**  
**180 H**  
**180 HS**

**Type 180**

**Type 180 H**  
with lift-off prevention

**Type 180 HS**  
with lift-off prevention  
suitable to the combination with roller bearing  
Type 118 GFH or Type 118 RO-Z SH hv



X - Height of the gliding support

**For planning purposes, please consider the height of the gliding supports (X) if usage is demanded.**

All dimensions in mm

Pipe ø	b x s	A	H	L	W°	Profile	Type 180		Type 180 H with lift-off prevention		
							Item No. hot-dip galvanized	Item No. galvanized	Item No. hot-dip galvanized	Item No. galvanized	
26.9	30x5	90	124	180	M10x30	0°	40x20	24004360	24024306	24004423	24024324
33.7	30x5	90	127	180	M10x30	0°	40x20	24004363	24024307	24004426	24024325
42.4	30x5	90	131	180	M10x30	0°	40x20	24004366	24024308	24004429	24024326
44.5	30x5	90	132	180	M10x30	0°	40x20	24004369	24024309	24004432	24024327
48.3	30x5	90	134	180	M10x30	0°	40x20	24004372	24024310	24004435	24024328
57.0	40x6	100	154	240	M12x40	0°	50x25	24004375	24024311	24004438	24024329
60.3	40x6	130	185	240	M12x40	0°	50x25	24004378	24024312	24004441	24024330
76.1	40x6	130	198	240	M12x40	20°	60x30	24004381	24024313	24004444	24024331
88.9	40x6	130	205	240	M12x40	20°	60x30	24004384	24024314	24004447	24024332
108.0	50x8	130	229	250	M16x50	20°	80x45	24004387	24024315	24004450	24024333
114.3	50x8	130	232	250	M16x50	25°	80x45	24004390	24024316	24004453	24024334
133.0	50x8	130	242	250	M16x50	25°	80x45	24004393	24024317	24004456	24024335
139.7	50x8	130	245	250	M16x50	25°	80x45	24004396	24024318	24004459	24024336
159.0	50x8	130	260	250	M16x50	25°	100x50	24004399	24024319	24004462	24024337
168.3	50x8	130	264	250	M16x50	30°	100x50	24004402	24024320	24004465	24024338
219.1	50x8	130	295	350	M16x50	35°	120x55	24004405	24024321	24004468	24024339
273.0	60x8	130	322	350	M20x60	45°	120x55	24004408	24024322	24004471	24024340
323.9	60x8	130	352	360	M20x60	45°	140x60	24004411	24024323	24004474	24024341
355.6	60x8	130	368	360	M20x60	45°	140x60	24004414	24025248	24004477	24025547
406.4	80x8	130	393	390	M24x70	45°	140x60	24004417	24025249	24004480	24025548
508.0	80x8	130	454	390	M24x70	45°	180x70	24004420	24025250	24004483	24025549
610.0	100x8	130	515	420	M24x70	45°	220x80	24016337	24025252	24022449	24025550
711.0	100x8	130	581	600	M24x70	45°	280x95	24022514	24025253	24020074	24025551
813.0	100x8	130	646	600	M24x70	45°	400x110	24022109	24025254	24020075	24025552

**Other diameters and A-dimensions on request. Please tell us the requested pipe diameter and the A-dimension.**

**Specification**

Material No. 1.0038 (S235JR), galvanized or hot-dip galvanized, operation temperature until 300°C. Also deliverable in ordinary steel or stainless steel material No. 1.4301 and 1.4571.

**Also STAINLESS available  
RUST  
PROOF**



Ordering designations: Type... Diameter... H+RA-dimension... Surface... Item number  
e.g. 180 ø219.1 295 + ..... hot-dip galvanized 24004405