

# DOUBLE RESTRAINING ROLLER BEARING

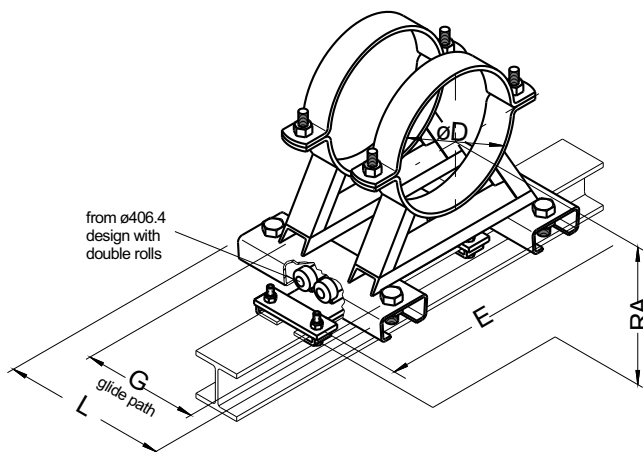
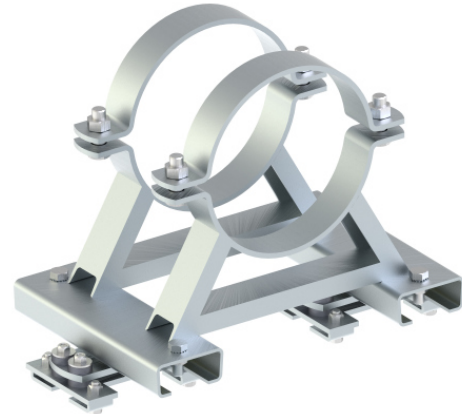
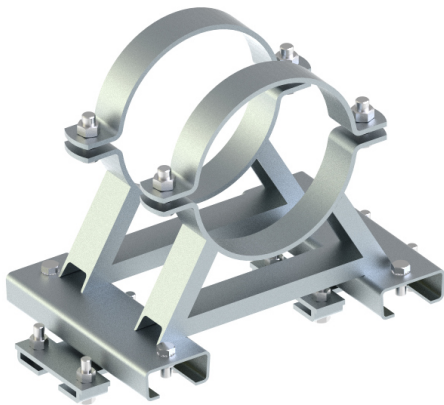
for beam connections to HEA/HEB-beams

Type 118-2U-305P Z-I  
118-2U-305P ZA-I

**SOUND INSULATED**  
according to  
DIN 4109

Type 118-2U-305P Z-I

Type 118-2U-305P ZA-I  
with sound insulation



All dimensions in mm

valid for both designs						118-2U-305P Z-I	118-2U-305P ZA-I	for beam
Pipe $\varnothing$	b x s	L	Glide path G	d	E	hot-dip galvanized	with sound insulation hot-dip galvanized	
219.1	50x8	300	164	18	462	RA	RA	HEA/HEB  please tell us the beam size
267.0	60x8	350	214	18	527	261	281	
273.0	60x8	350	214	18	533	290	310	
323.9	60x8	350	214	18	524	293	313	
355.6	60x8	350	214	18	557	338	358	
406.4	80x8	350	214	18	608	354	374	
457.2	80x8	350	214	18	658	389	409	
508.0	80x8	350	214	18	709	405	425	
						430	450	

**All dimensions are standard dimensions and can be changed on request.  
Please tell us the requested pipe diameter, the RA-dimension and the size of the beam.**



Ordering designations: Type...  
e.g. 118-2U-305P ZA-I

Diameters...  
ø329.9

RA-dimension  
RA=358

Surface  
hot-dip galvanized

Beam  
HEB 120