

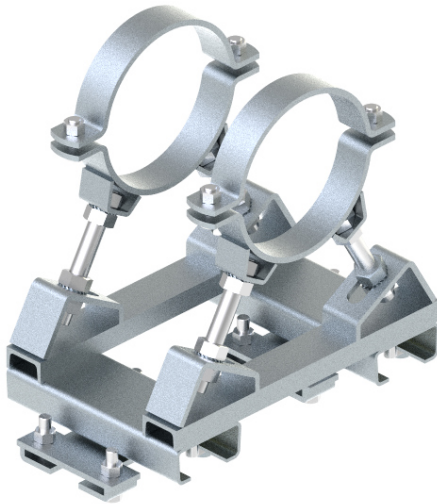
# DOUBLE RESTRAINING ROLLER BEARING

for beam connections to HEA/HEB - beams

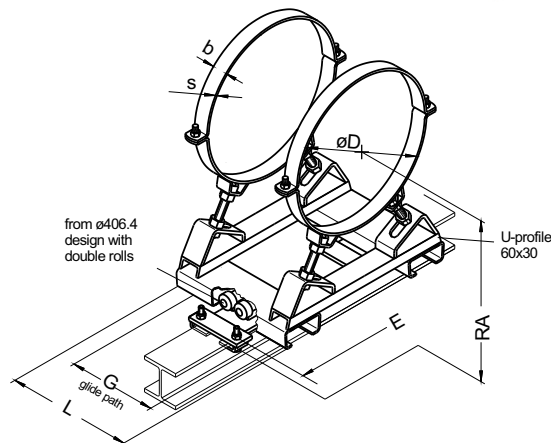
Type 118-2G-305P Z-I  
118-2G-305P ZA-I

**SOUND INSULATED**  
according to  
DIN 4109

Type 118-2G-305P Z-I



Type 118-2G-305P ZA-I  
with sound insulation



All dimensions in mm

| valid for both designs |       |     |              |    |     | 118-2G-305P Z-I<br>hot-dip galvanized | 118-2G-305P ZA-I<br>with sound insulation<br>hot-dip galvanized | for beam                                    |
|------------------------|-------|-----|--------------|----|-----|---------------------------------------|---|---|
| Pipe ø                 | b x s | L   | Glide path G | d  | E   | RA                                    | RA  |   |
| 219.1                  | 50x8  | 300 | 164          | 18 | 520 | 301-376                               | 321-396   | HEA/HEB<br><br>please tell us the beam size |
| 267.0                  | 60x8  | 350 | 214          | 18 | 553 | 320-395                               | 340-415   |   |
| 273.0                  | 60x8  | 350 | 214          | 18 | 554 | 323-398                               | 343-418   |   |
| 323.9                  | 60x8  | 350 | 214          | 18 | 587 | 344-419                               | 364-439   |   |
| 355.6                  | 60x8  | 350 | 214          | 18 | 609 | 355-430                               | 375-450   |   |
| 406.4                  | 80x8  | 350 | 214          | 18 | 642 | 376-451                               | 396-471   |   |
| 457.2                  | 80x8  | 350 | 214          | 18 | 671 | 395-470                               | 415-490   |   |
| 508.0                  | 80x8  | 350 | 214          | 18 | 704 | 415-490                               | 435-510   |   |

All dimensions are standard dimensions and can be changed on request.  
Please tell us the requested pipe diameter, the RA-dimensions and the size of the beam.



Ordering designations: Type...  
e.g. 118-2G-305P ZA-I

Diameters...  
ø323.9

RA-dimension  
RA=400

Surface  
hot-dip galvanized

Beam  
HEB 120