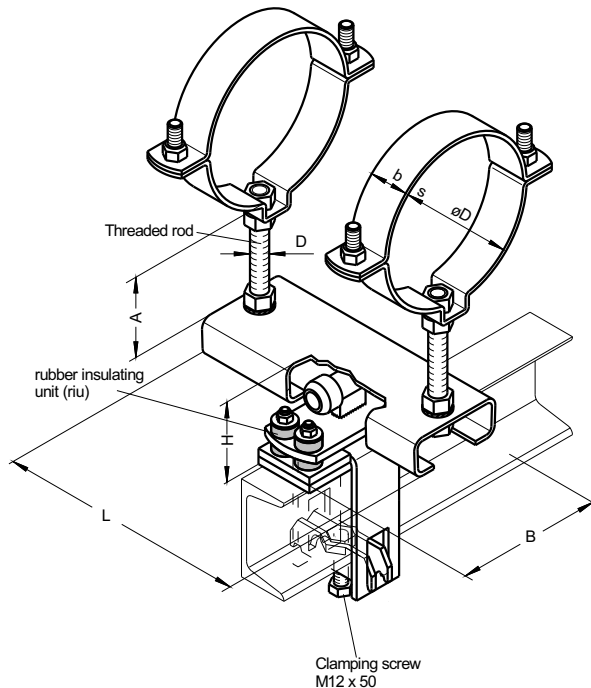
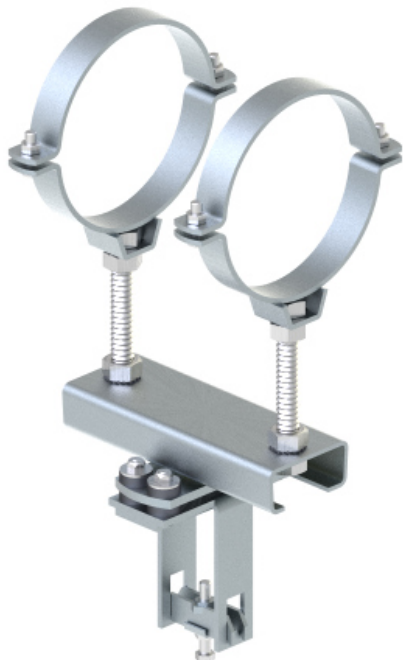


RESTRAINING ROLLER BEARING Type 118 ZA-U

for beam connections to U-beams with sound insulation

SOUND INSULATED
according to
DIN 4109



All dimensions in mm

Size	Pipe ø	b x s	A Standard	L	D	for beam	B	H	riu Piece
2	108.0	40x4,0	120	250	M16	U 100 - 160	150	82	4
	114.3								
	133.0								
	139.7								
	159.0								
168.3									
3	193.7	50x8,0	180	300	M24	please tell us the beam size	200	94	4
	219.1								
	244.5								
	267.0								
	273.0								
298.5									

Other diameters and A-dimensions on request. Please tell us the requested diameter, the A-dimension and the size of the beam.



Ordering designations: Type...
e.g. 118 ZA-U

Diameters...
ø219.1

A-dimension
A=180

Surface
hot-dip galvanized

Beam
HEB 100