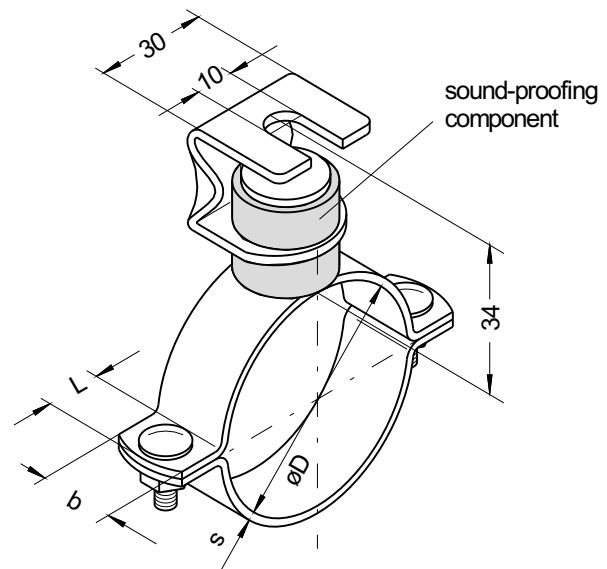


PIPE CLAMP

Type 119 A

with sound-proofing component, for structure-borne sound insulating



All dimensions in mm

SOUND INSULATED
according to
DIN 4109

Technical data

Sound-proofing performance:	21 dB (A)
max. tensile strength:	500 N
Bending load:	> 6000 N
Springing constant:	100 N / mm
Springing impedance (250 Hz):	$2,8 \times 10^5$ g/s

Description

Two piece pipe clamp with integrated dipa® sound insulating component

Combination possibilities with Type

303 WF

Specification

Zinc-coated

Preferable fields of application

Air- and climate technology

Material b x s	øD	L
20x1,5	15.0 17.2 consecutive diameter until 38.0	15
20x2,0	42.0 42.4 consecutive diameter until 60.3	15
Other diameters on request. Please tell us the requested pipe diameter.		