

2 POINTS- VENT PIPE CLAMP

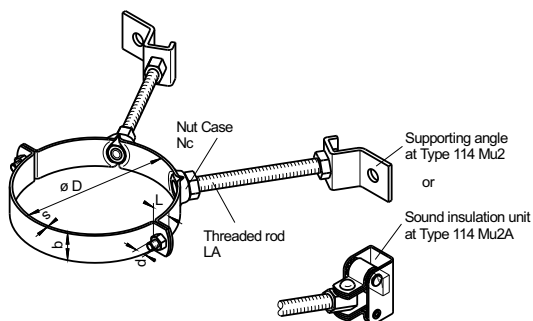
Type 114 Mu 2
114 Mu 2A

Presentation = Scope of delivery

Type 114 Mu 2

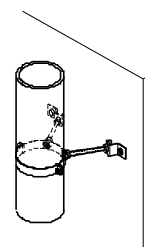


Type 114 Mu 2A
with sound insulation



SOUND INSULATED
according to
DIN 4109

Mounting example



All dimensions in mm

Material b x s	øD	L	d	Nc	Standard LA	Base region	
						Type 114 Mu2	Type 114 Mu2A
30x2,5	consecutive pipe diameter until 500.0	20	M 8	for M10	M10x110	with 2 supporting angles	with 2 sound insulation units Type 104 G-M10
				for M12	M12x110	with 2 supporting angles	with 2 sound insulation units Type 104 G-M12
40x4,0	consecutive pipe diameter until 500.0	35	M12	for M12	M12x110	with 2 supporting angles	with 2 sound insulation units Type 104 G-M12
				for M16	M16x140	with 2 supporting angles	---

**Other diameters on request.
Please tell us the requested pipe diameter.**

Description

Two pieces, 2 point pipe clamp with two nut cases, made of zinc-coated band steel or stainless steel quality A2 or A4 with punched pipe clamp connection screws. Suitable for all pipe types, particularly in outside with wind loads. The accurately fitting nut case are used to receive one inlay nut each and offer, in connection with lock nuts a clean shaped, form fitted connection to the threaded rods with high mechanical load capacity.

Specification

Zinc-coated

Preferable fields of application

Ventilation- and exhaust pipes, chimney construction

**Also STAINLESS available
RUST
PROOF**