

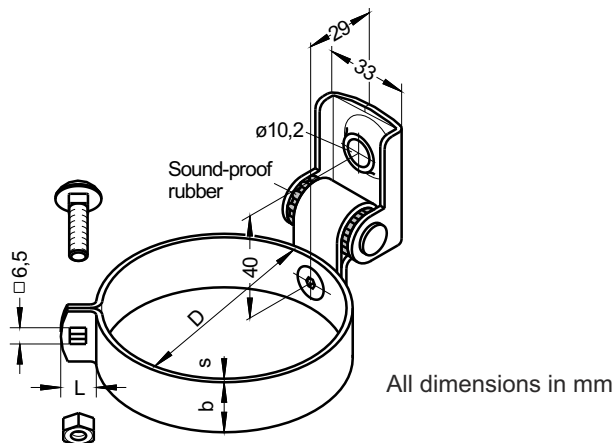
PIPE CLAMP**Type 111**

with sound-insulating component, for structure-borne decoupling

dipa



SOUND INSULATED
according to
DIN 4109



Material b x s	øD	L
20x1,0	15.0 17.2 consecutive pipe diameter until 38.0	16
20x1,5	42.0 42.4 consecutive pipe diameter until 78.0	16
20x2,0	80.0 88.9 consecutive pipe diameter until 630.0	16
30x2,5	125.0 133.0 consecutive pipe diameter until 630.0	20
Other diameters on request. Please tell us the requested pipe diameter.		

Technical data

Sound proofing performance: 18 db (A)

max. tensile strength: 1000 N

Bending load: > 6000 N

Springing impedance: $6,3 \times 10^5$ g/s**Description**

The structure-borne sound insulating pipe clamp Type 111 is designed to fasten **horizontally and vertically running pipe lines in direct mounting**. It is a one piece pipe clamp of zinc-coated band steel with permanently connected sound insulation component. This fastening fulfills, like all sound-insulation component fastenings, safely and **permanently** the requirements of DIN 4109. The structure-borne sound insulation is realised by a outside located sound insulating unit which does not connect with temperature loaded pipes. Aging due to temperature load is impossible. This construction guarantees continual acoustic characteristics for decades. Structure-borne sound insulation is independant of the mounting conditions due to factory-made premounted sound insulation components.

Preferable fields of application

Air-, climate-, sanitary- and heating technology.