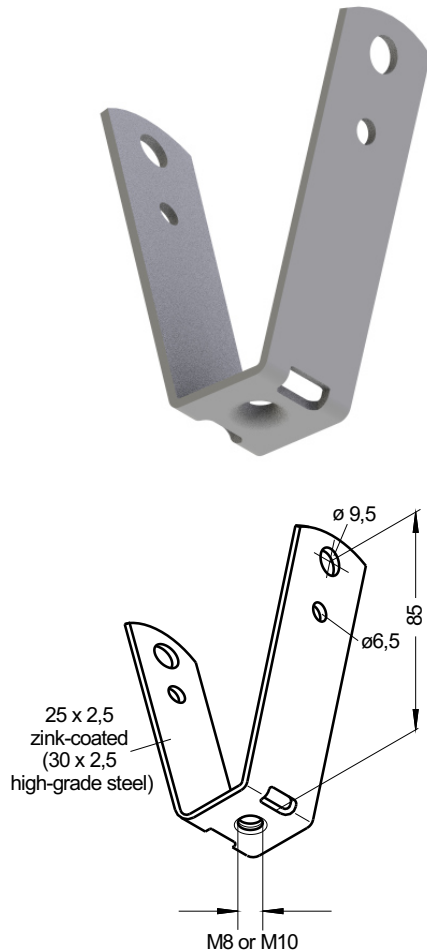
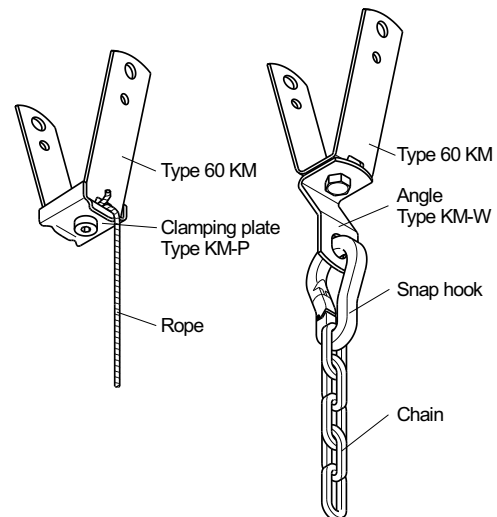


# TRAPEZE SHAPED SLAB BRACKET Type 60 KM



Mounting example



Alle dimensions in mm

Item	Item Nr. zink-coated	Item Nr. VA2	Item Nr. VA4	Description	Material bxs
60 KM - M8	21014882	-	-	Thread connection M8	25x2,5
60 KM - M10	21013862	-	-	Thread connection M10	25x2,5
60 KM - M8	-	21012148	21011453	Thread connection M8	30x2,5
60 KM - M10	-	21012149	21010354	Thread connection M10	30x2,5

### Technical data

max. tensile strength: if use M 8 = 1000 N  
M10 = 3000 N

Bending load\*: if use M 8 = 9000 N  
M10 = 10000 N

\*) Data for zinc-coated design by use thread quality 8.8

### Description

Fastener for the supporting of rectangular ventilating ducts, pipes etc. for threaded rod connection M8 or M10. This construction enables easy adaption to different trapeze ceilings.

### Specification

Zinc-coated, high-grade steel A2 and A4

### Preferable fields of application

Air-, climate-, sanitary- and heating technology

Also STAINLESS available  
RUST  
PROOF