

# TRAPEZE SHAPED SLAB BRACKET Type 60 AL

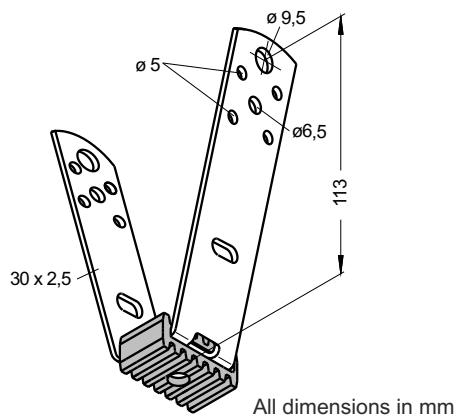
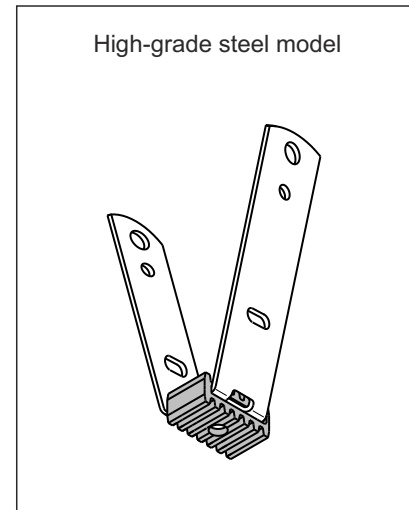
DBP 3818220.3

with washer  
or  
washer-nut



**SOUND INSULATED**  
according to  
DIN 4109

High-grade steel model



Item	Item number	Description
60 AL	21021257	zinc-coated, for M8 with washer
60 AL	21023262	zinc-coated, with washer-nut M8

## Technical data

Sound-proofing performance: 20 db (A)  
max. tensile strength: 500 N  
Bending load: 5500 N

## Description

Fastener for the supporting of rectangular ventilating ducts, pipes etc. with structure-borne sound insulating rubber plates for threaded rod connection M8 with washer nut and with washer and hexagonal nut. This construction enables easy adaption to different trapeze ceilings. The rubber centring, as well as the strong profiling of the rubber insulation plate, are the deciding factors for perfect sound insulation.

## Specification

Zinc-coated, with a washer (DIN 9021) or with a washer-nut M8 (DIN 53010)

## Preferable fields of application

Air-, climate-, sanitary- and heating technology

**Also STAINLESS available**  
**RUST**  
**PROOF**