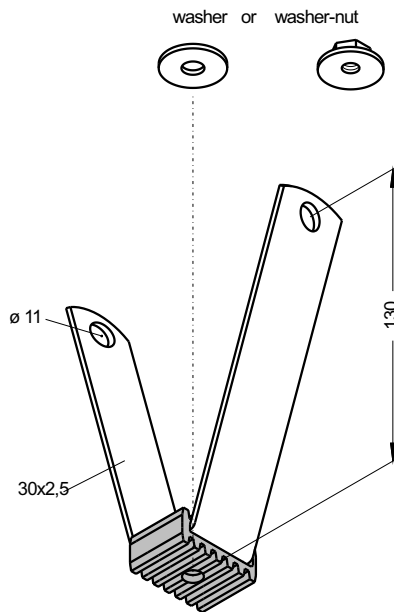


TRAPEZE SHAPED SLAB BRACKET Type 60 A

DBP 3818220.3



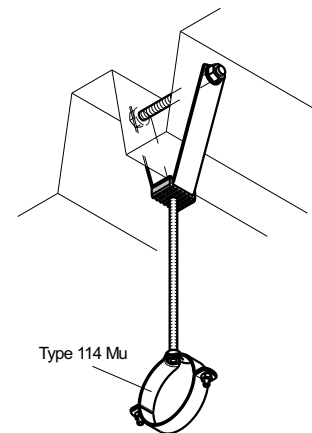
All dimensions in mm

SOUND INSULATED
according to
DIN 4109



Mounting example

Item	Item number	Description
60 A	21001009	zinc-coated, for M8 with washer
60 A	21006562	zinc-coated, with washer-nut M8



Technical data

Sound-proofing performance: 20 db (A)
max. tensile strength: 800 N
Bending load: 10000 N

Description

Fastener for the supporting of rectangular ventilating ducts, pipes etc. with structure-borne sound insulating rubber plates for threaded rod connection M8 with washer nut and with washer and hexagonal nut. The rubber centring, as well as the strong profiling of the rubber insulation plate, are the deciding factors for perfect sound insulation.

Specification

Zinc-coated, with a washer (DIN 9021) or with a washer nut M8 (DIN 53010)

Preferable fields of application

Air-, climate-, sanitary- and heating technology

Also STAINLESS available
RUST
PROOF