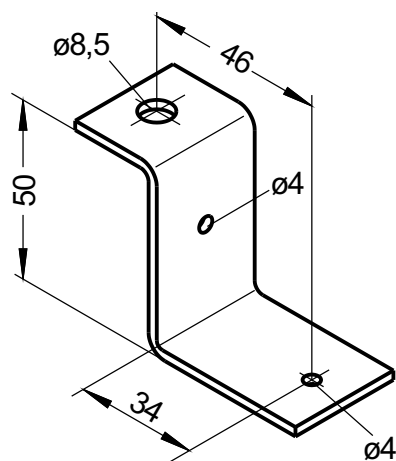
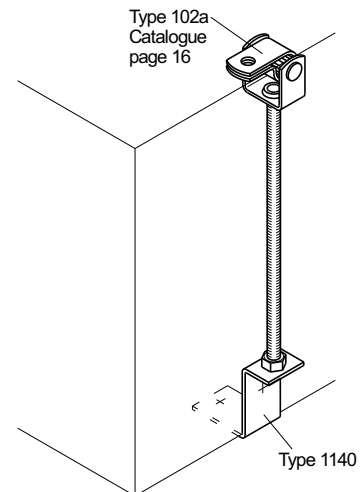


Mounting example



All dimensions in mm

Item	Item number
1140	30004740

Description

Fastening unit for supporting rectangular ventilation ducts for threaded rod connections. The dipa® duct support Type 1140 forms, together with the dipa® insulating component Type 102 a, a structure-borne sound insulating fastening unit (see technical data Type 102 a).

Specification

Zinc-coated with hole 8,5 mm

Combination possibilities with Type

102 a

Preferable fields of application

Air- and climate technology

Also STAINLESS available
RUST
PROOF