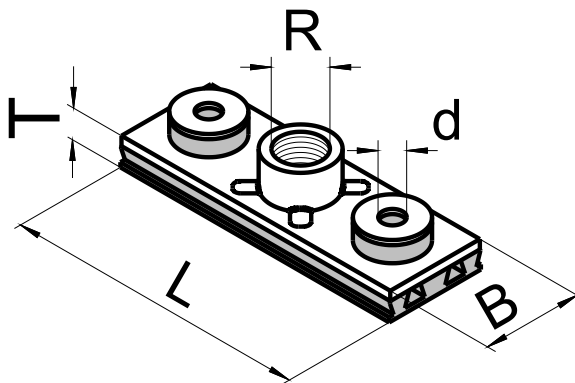
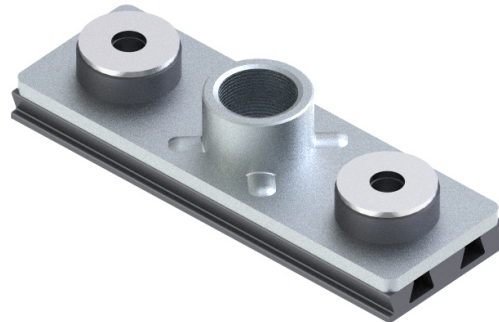
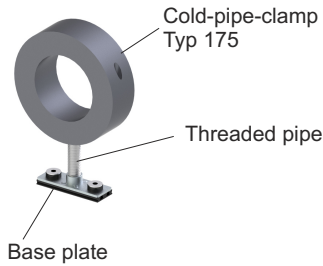


# BASE PLATE

with sound insulation

Type 114 MFP-A

## Mounting example



Item	Item number	R [inch]	L [mm]	D [mm]	B [mm]	T [mm]
114 MFP-A	52 02 4128	1/2"	120	8,5	40	12
	52 02 4129	3/4"	120	8,5	40	12

Combinated through dipa universal connecting sleeve with metric threads.  
 Connecting sleeve No. 31021634 R=1/2" with M8 and M10.  
 Connecting sleeve No. 31021635 R=1/2" with M12  
 Connecting sleeve No. 31022447 R=3/4" with M16.

### Description

Base plate sound insulated with connecting sleeve R 1/2" respectively 3/4". With the available dipa® universal connecting sleeve added a connection is possible between the base plate and the pipe clamp by a metric thread.

### Specification

Material No. 1.0038 in zinc-coated.

### Preferable fields of application

Sanitary- and heating technology

### Combination possibilities

Pipe clamps Type 109, 109 Gu, 114 GW, 114 MF, 114 Mu, 114 Ni, 114 S (all with universal connecting sleeve)



**Ordering designations: Type.. R (connecting thread)... Surface... Item number... Universal connecting sleeve (optional)**  
 e.g. 114 MFP-A 1/2" Zinc-coated 52024128 + 31021635 (Collected to M12)