

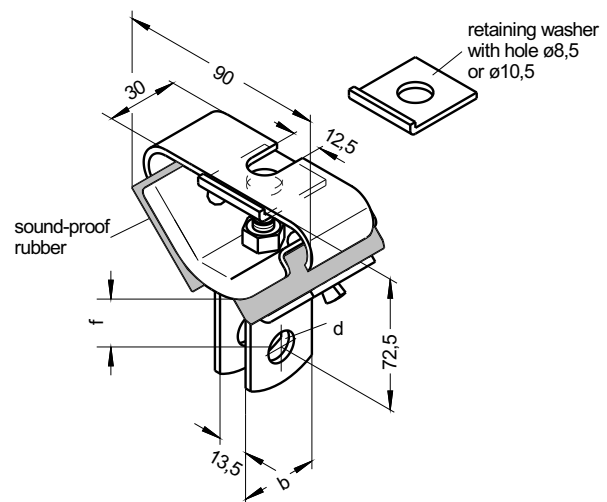
SOUND INSULATING COMPONENT Type 106 U

DBP 2834190.4-09

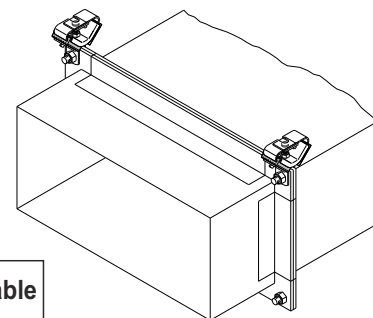


SOUND INSULATED
according to
DIN 4109

Item	Item number	U-part dimensions		
		b	d	f
106 U20/ 8,5	20001035	20	ø 8,5	33,5
106 U20/10,5	20010830	20	ø 8,5	33,5
106 U30/ 8,5	20001036	30	ø12,5	29,5
106 U30/10,5	20025918	30	ø12,5	29,5



Mounting example



Technical data

Sound-proofing performance: 20 db (A)
max. tensile strength: 1500 N
Bending load: 10000 N

Description

See type 106 page 24

Specification

Zinc-coated

Preferable fields of application

Air- and climate technology

Also STAINLESS available
RUST
PROOF