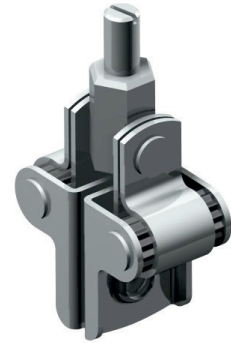
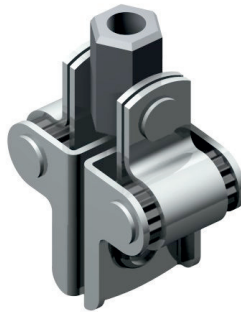
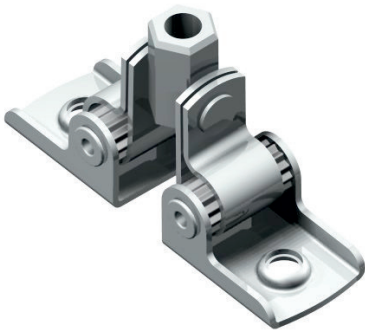
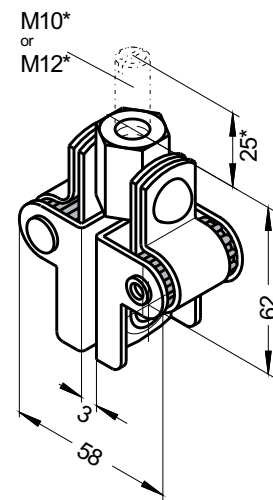
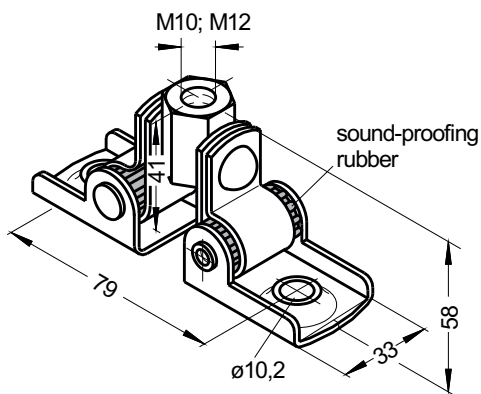


Design with
external threadSOUND INSULATED
according to
DIN 4109*Design with
external thread**Technical data**

Sound-proofing performance: 15 db (A)
 max. tensile strength: 2000 N
 Bending load: > 10000 N
 Springing impedance (250 Hz): $1,8 \cdot 10^6$ g/s

Specifications

Zinc-coated

Item	Description	Item number
104	M10 inside thread	20001026
104	M12 inside thread	20001027
104	M10x25 external thread	20001029
104	M12x25 external thread	20001030