

SOUND INSULATING COMPONENT Type 103 A
DBP 3741424 **103 N**

Type 103 A

Technical data

Sound-proofing performance: 18 db (A)
 max. tensile strength: 1000 N
 Bending load: > 6000 N
 Springing impedance (250 Hz): $6,3 \cdot 10^5$ g/s

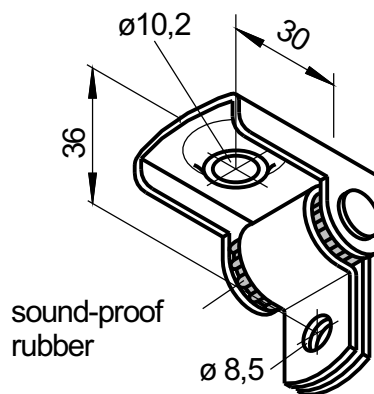


Spezifikation

Zinc-coated

Item	Item number
Type 103 A	20001023

SOUND INSULATED
according to
DIN 4109



Alle Maße in mm

Type 103 N

Technical data

Sound-proofing performance: 18 db (A)
 max. tensile strength: 1000 N
 Bending load: > 6000 N
 Springing impedance (250 Hz): $6,3 \cdot 10^5$ g/s



Spezifikation

Zinc-coated

Item	Item number
Type 103 N	20001024