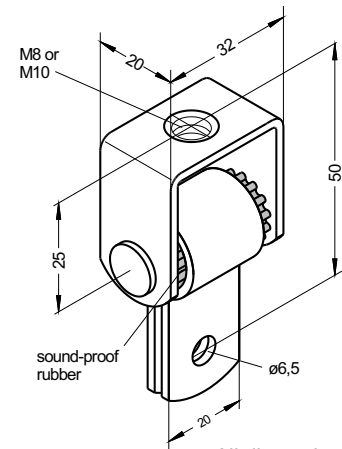
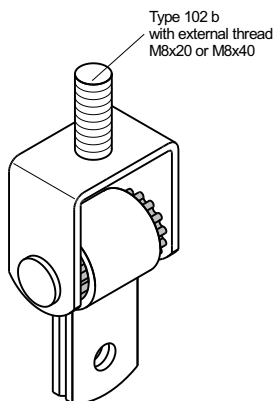


SOUND INSULATING COMPONENT Type 102 b

DBP 3741424



All dimensions in mm

Variant

SOUND INSULATED
according to
DIN 4109

Item	Metric thread	Item number
Typ 102 b M 8 zinc-coated	M 8 inside thread	20012037
Typ 102 b M10 zinc-coated	M10 inside thread	20023288
Typ 102 b M8x20 zinc-coated	M8x20 external thread	20001020
Typ 102 b M8x40 zinc-coated	M8x40 external thread	20001021

Technical data

Sound-proofing performance: 18 db (A)
 max. tensile strength: 1000 N
 Bending load: > 6000 N
 Springing impedance (250 Hz): $6,3 \cdot 10^5$ g/s

Description

Structure-borne sound insulating fastening unit for the fastening of hanging installation components such as , e.g., pipelines, lower decks and ventilation ducts. This prestressed riveted rubber profile fullfills the requirements of DIN 4109 permanently. Aging and curing through high tempered pipes resulting in a reduction of the sound insulation are impossible. Electric screw drivers, for economic mounting, can be used without difficulty. The component allows pendulum movements and therefore can be considered as a sliding fastener. Pipe shear forces are not transmitted to the structure.

Specification

Zinc-coated, with inside thread M8 or M10
 optionally external thread M8x20 or M8x40

Combination possibilities with Type

112, 113, 114, 1210, 1030

Preferable fields of application

Sanitary- and heating technology

Also STAINLESS available
RUST
PROOF