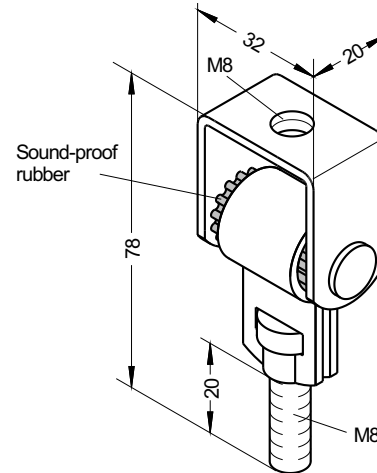


SOUND INSULATED
according to
DIN 4109



All dimensions in mm

Item	Item number
Type 102 aZ	20005151

Technical data

Sound-proofing performance: 18 db (A)
 max. tensile strength: 1000 N
 Bending load: > 6000 N
 Springing impedance (250 Hz): $6,3 \cdot 10^5$ g/s

Description

Structure-borne sound insulating fastening unit with concentric connection for the fastening of hanging installation components such as , e.g., pipelines , lower decks and ventilation ducts. This prestressed riveted rubber profile fullfills the requirements of DIN 4109 permanently. Aging and curing through high tempered pipes resulting in a reduction of the sound insulation are impossible. Electric screw drivers, for economic mounting, can be used without difficulty. The component allows pendulum movements and therefore can be considered as a sliding fastener. Pipe shear forces are not transmitted to the structure.

Specification

Zinc-coated

Preferable fields of application

Sanitary- and heating technology

Also STAINLESS available
RUST
PROOF