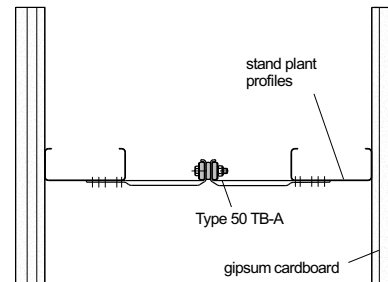


PARTITION HOLDER

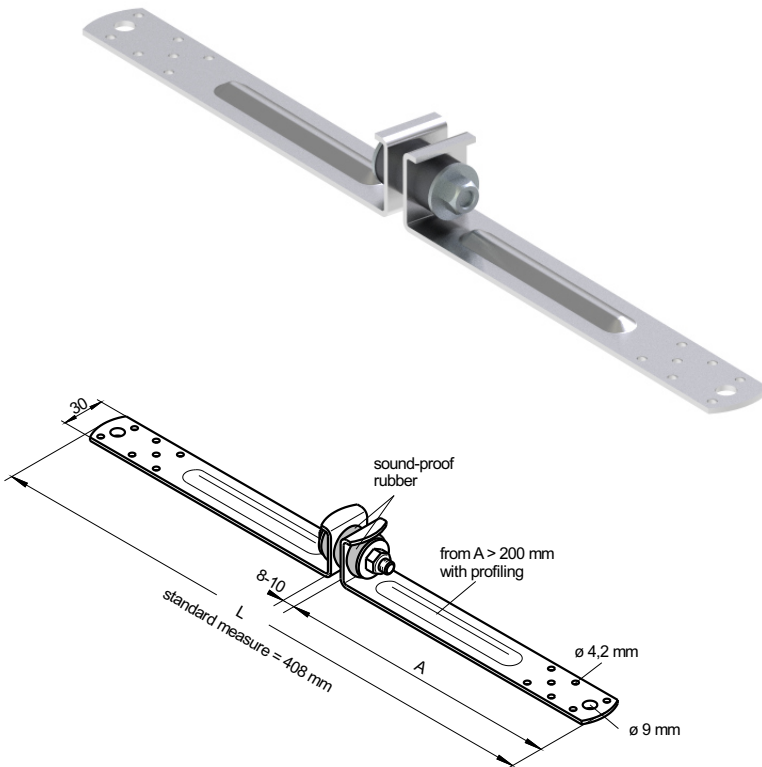
Type 50 TB-A

for the sound-decoupling connection of gypsum cardboard walls

Mounting



SOUND INSULATED
according to
DIN 4109



L-measure [mm]	Item number	PU/ piece
140	22 03 0750	100
200	20 01 9922	100
250	20 01 0871	100
300	20 01 0958	100
350	20 02 0984	100
408	20 01 1398	100
500	20 01 4707	100
700	20 02 7629	100
800	20 02 1957	100
870	20 02 7628	100
Other lengths on request		

Technical data

Sound proofing performance: 21 db (A)
 max. tensile strength: 500 N
 Bending load: > 6000 N
 Springing constant: 100 N/mm
 Springing impedance (250 Hz): $2,8 \cdot 10^5$ g/s

Description

The partition holder type 50 TB-A is a sound-decoupling connection element, especially for the partitions of gypsum cardboard in connection with stand plant profiles.

The fixing stands out by simple mounting and low material cost. The sound insulating is derived from the tried and tested dipa® insulation component technology with factorymade prestressed insulating elements. The exceptionally flexural strength execution allows a joint-like connection, so the sound-proofing rubber can be optimally prestressed. This effect secures a high insulation low frequency response too.

Specification

Galvanized