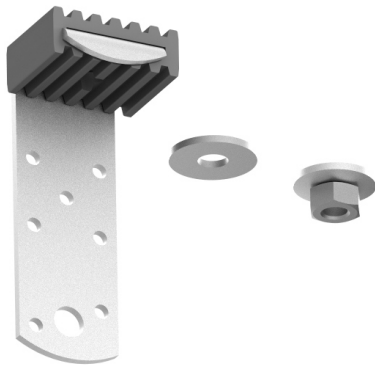


# SOUND INSULATING DUCT SUPPORT

## Type 50 AN

DBP 3818220.3

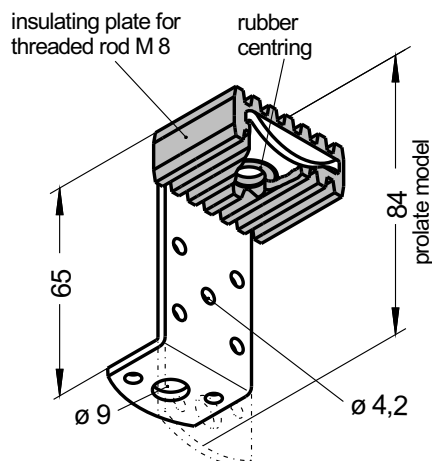
prolate model



angle model



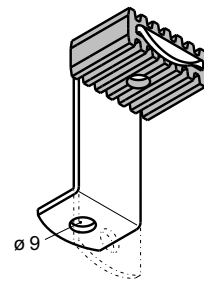
both versions  
optionally with washer after DIN 9021 or  
washer nut M8 after DIN 53010



All dimensions in mm

Also **STAINLESS** available  
**RUST  
PROOF**

hole pattern  
stainless steel design



Item	Description	Item number
50 AN	M8, angulated with washer, zinc-coated	20001001
50 AN	M8, prolate with washer, zinc-coated	20004967
50 AN	M8, angulated with washer nut, zinc-coated	20006560
50 AN	M8, prolate with washer nut, zinc-coated	20006561

### Technical data

Sound proofing performance: 20 db (A)  
max. tensile strength: 500 N  
Bending load: 5500 N

### Description

Fastening unit for directly supporting rectangular ventilating ducts, in-between decks, etc., with structure-borne sound insulating rubber insulating plates for threaded rod connection M8. The insulating component is screwed directly onto the duct flange or riveted.

The threaded rod is led through the narrow borehole of the insulation plate and rubber centring. A connection of the metal components is not possible, which guarantees 100% sound insulation.

### Specification

Material No. 1.0038 in zinc-coated.  
Also available in stainless steel material No. 1.4301 and 1.4571

### Preferable fields of application

Air- and ventilation technology

**SOUND INSULATED**  
according to  
**DIN 4109**